

Gabarrón

Manufacturing Excellence

WATER HEATERS

A perfect size for you



A PERFECT SIZE FOR YOU

GABARRÓN presents its new range of ACTIVE storage water heaters, which offer the perfect balance between comfort at home, energy savings and providing great space efficiency.

There are certain factors that are important when choosing an electric storage water heater. Certain technical features and qualities must be taken into account, along with the capacity of the storage water heater or requirements of each installation. Each and every one of those factors will help you to decide which is the best storage water heater to meet your comfort needs at home.

MAXIMUM DURABILITY: ANTI-CORROSION SOLUTIONS

GABARRÓN electric storage water heaters are known for their excellent durability and use the best anti-corrosion technology available on the market, which guarantees the best quality and a long service life. A magnesium anode is used as the anti-corrosion protection.

The durability of our immersion heaters is higher than the standard thanks to the steel tank being double lined with 850°C vitrified titanium enamel, which provides uniform thickness and perfect adherence.

INDEPENDENT SHEATHED HEATING ELEMENTS

The **ACTIVE MULTIFIX** range has independent sheathed heating elements, which makes them more durable as they are not in contact with the chemical agents of the water.

One of the great advantages of using this type of heating elements is that they can be replaced, if necessary, without the boiler needing to be first emptied.

As the heating elements are totally independent, the boiler can continue to run and provide hot water if one of the resistances fails.

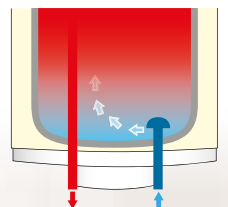
These sheathed heating elements, together with the magnesium anode and steel tank with double lining of titanium enamel vitrified at 850°C, give the heater maximum protection against corrosion, as well as exceptional durability.

The **ACTIVE MULTIFIX** range includes an LED heating element indicator.



WATER INFLOW DIFFUSER

Thanks to the exclusive water inflow diffuser, the water is gradually distributed through the storage water heater, preventing a sharp mix of the cold water entering and the hot water inside the tank, which optimises the storage water heater's performance.



EXCELLENT THERMAL INSULATION

Injected polyurethane between the casing and the cylinder is used as the thermal insulation. The polyurethane is FC and HCFC free which makes it environmentally friendly and it has a very low thermal conductivity coefficient for greater energy savings.

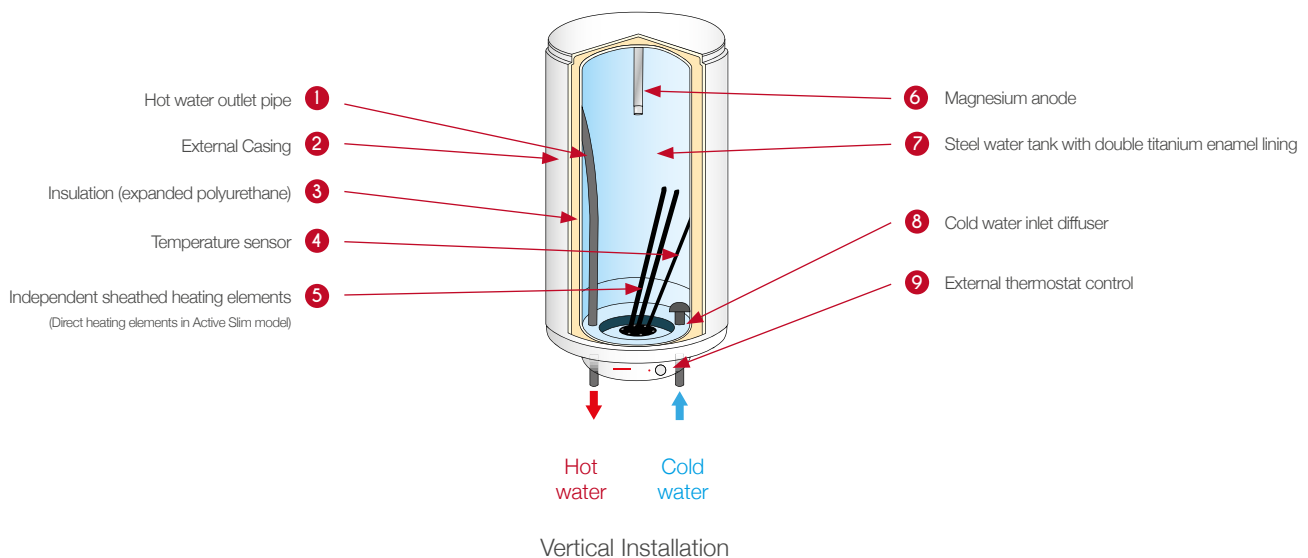
The insulation on the storage water heaters in the ACTIVE MULTIFIX line is 4 cm thick, which reduces heat losses to the minimum.

SAFETY VALVE AND DIALECTIC PIPE FITTINGS

All the GABARRÓN electric storage water heaters come with a non-return safety valve to ensure that the hot water does not return to the mains if pressure increases inside the storage water heater.

They also have dielectric pipe fittings to insulate the storage water heaters from the installation, which prevents galvanic couples forming in the water inflow and outflow pipes. They reduce the corrosion which helps to lengthen the life of the storage water heater.

INSIDE AN ELECTRIC WATER HEATER



ADAPTING TO YOUR NEEDS

ECO MODE

The ECO mode helps the GABARRÓN storage water heaters to find the right balance between energy savings and comfort. The user can manually select that operating mode where the storage water heater will have a set-point temperature of 55°C. In the ECO mode, the heat losses are kept to a minimum thanks to the excellent thermal insulation of the storage water heater.



FROST PROTECTION MODE

The GABARRÓN electric storage water heaters come with the Frost Protection mode, from 30 liters. This feature protects the storage water heaters from low temperatures. This means that if the water temperature falls below 5°C, the resistance rods will start working to avoid any problems with the water freezing. It is the ideal option to set for the storage water heater if you are going to be away from home for a long period and for heaters in second homes.

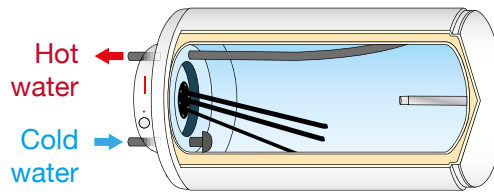


The **GABARRÓN ACTIVE** range has three lines of electric storage water heaters to adapt to the installation and space needs

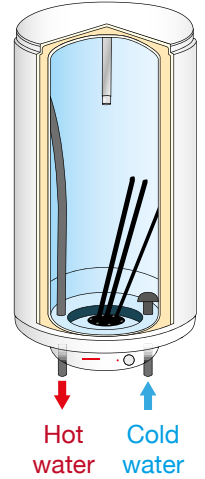
ACTIVE MULTIFIX

This line adapts to the different space availability of the customers, thanks to its size and capacity options.

One of its strongest points is that these storage water heaters can be fitted vertically or horizontally with the intakes to the left.



Horizontal Installation with water connections to the left side



Vertical Installation

ACTIVE SLIM

This range has been specifically designed to be fitted in small spaces, thanks to its special diameter of just 33.4 cm for the tightest of spaces.

It is the ideal option to be fitted in small bathrooms, narrow cupboards, fitted kitchen cupboards or toilets in small establishments.



Safety thermostat valve for MULTIFIX and SLIM models

When fitted to the water heater's inlet and outlet, this safety thermostat delivers hot water at a constant temperature which can be adjusted to suit your needs. The result: greater comfort and extended provision of hot water by your electric water heater.



ACTIVE COMPACT

This storage water heater line is the most compact of the GABARRÓN storage water heater range.

This line has been developed for facilities that need hot water quickly, such as in kitchens, garages, doctor's surgeries, etc.

These models are particularly easy to install as thanks to their mounting system, they only need a single wall mount.





CAPACITY

When choosing the capacity of the storage water heater, you should take into account the number of people in the household or rather the amount of liters you are going to need at a specific time. The capacity of the tank, which is where the hot water is stored, is going to determine the number of liters of hot water that you will have at a specific time.

With these two variables in mind, you can choose the best size of storage water heater for your needs.

What capacity do I need?

WATER HEATER CAPACITY

| No. of people | Number of liters available at 65°C | Number of liters available at 40°C |
|---|------------------------------------|------------------------------------|
|  | 30 L | 55 L |
|  | 50 L | 89 L |
|  | 50 L | 151 L |
|  | 100 L | 199 L |
|  | 150 L | 296 L |
|  | 200 L | 394 L |

AVERAGE HOT WATER CONSUMPTION

Some of the estimate hot water consumption in a household, per person are:

- ▶ Shower: Average of 30 L
- ▶ Bath: Average of 90-100 L
- ▶ Using the washbasin: Average of 3 L
- ▶ Using the sink: Average of 15-30 L

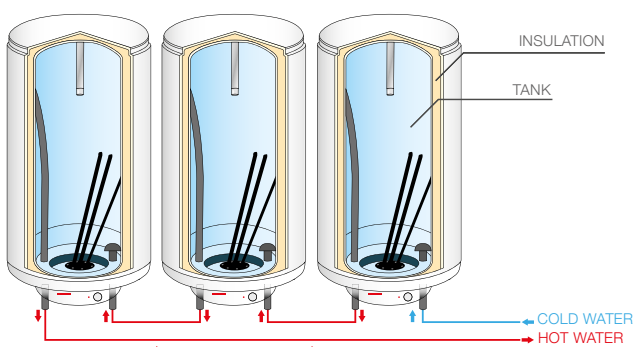
* Water mixed at a temperature of 15°C of cold water and 65°C of hot water from the electric storage water heater. (EN 60379:2005 standard). These figures are for vertical installations.

RECOMMENDATIONS ON INSTALLATION

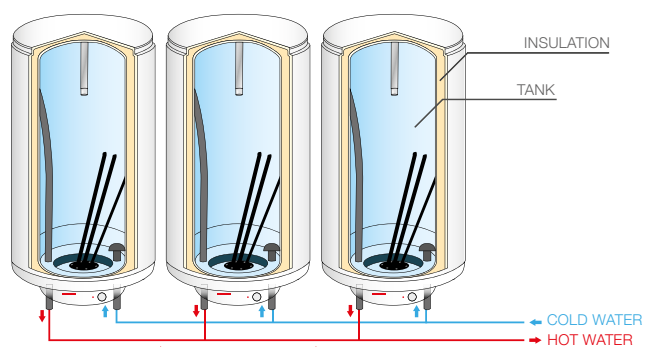
The water heaters in the **ACTIVE MULTIFIX** range can be installed individually, or in parallel/serial configurations.

The major advantage of installations in parallel is that they offer higher hot water capacity, while in serial installations each heater uses fewer heating elements.

Serial Installation



Parallel Installation





Illustrations are for guidance only

ACTIVE MULTIFIX

Electric water heater, horizontal or vertical installation



Technical Features

- ▶ Steel tank lined with titanium enamel vitrified at 850 °C.
- ▶ Magnesium anode.
- ▶ Dielectric hoses with high mechanical resistance.
- ▶ Reinforced, sheathed, independent heating elements.
- ▶ Front-panel thermostat for regulating temperature.
- ▶ Pilot light.
- ▶ Vertical or horizontal installation with connections to left side.
- ▶ 1 m supply mains cable and plug.
- ▶ Non-return and pressure relief valve.
- ▶ High insulation.
- ▶ Safety thermostat.
- ▶ ECO mode setting. 
- ▶ Frost-Protection mode setting. 



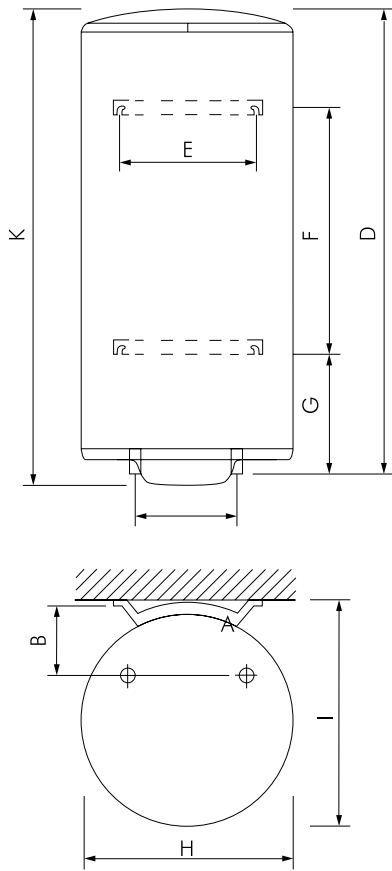
GTB/GTC Safety Thermostat Valve

Reference

90300006

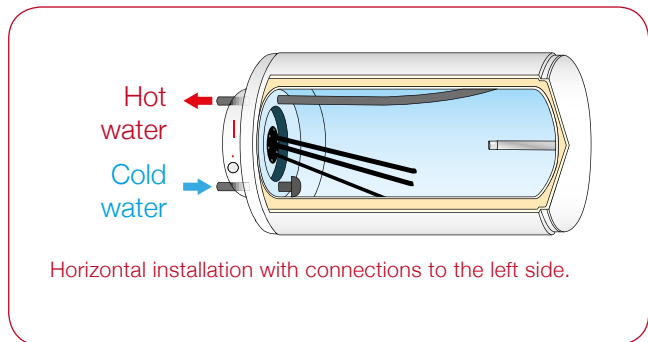
| MODEL: ACTIVE MULTIFIX | | GTB-80 | GTB-100 | GTB-150 | GTB-200 |
|---|---------|------------|------------|------------|------------|
| Capacity | L | 80 | 100 | 150 | 200 |
| Output | W | 2000 | 2000 | 2000 | 2000 |
| Current | A | 8.7 | 8.7 | 8.7 | 8.7 |
| Voltage | | 220-240 V | 220-240 V | 220-240 V | 220-240 V |
| Frecuency | Hz | 50 | 50 | 50 | 50 |
| Insulation | | Class I | Class I | Class I | Class I |
| IP degree | | IP24 | IP24 | IP24 | IP24 |
| Colour | | White | White | White | White |
| Water connections | | 1/2" | 1/2" | 1/2" | 1/2" |
| Net weight | kg | 33 | 38 | 49 | 66 |
| Average consumption to keep water at 65 °C | kWh/24h | 0.93 | 1.09 | 1.51 | 1.80 |
| Heating time 65 °C from 15 °C | | 2 h 20 min | 2 h 55 min | 4 h 22 min | 5 h 49 min |
| Quantity of water available with 40 °C mixture ⁽¹⁾ | L | 151 | 199 | 296 | 394 |
| Reference | | 90830080 | 90830100 | 90830150 | 90830200 |

(1) These figures are valid for cold water with temperature of 15°C mixed with hot water (65°C) from the water heater. (Standard EN 60379:2005). These figures are for water heaters installed in the vertical position.



Wall mounted vertical installation.

| MODEL | | GTB-80 | GTB-100 | GTB-150 | GTB-200 |
|-------------|----|--------|---------|---------|---------|
| Dimension A | cm | 10 | 10 | 10 | 10 |
| Dimension B | cm | 10 | 10 | 10 | 10 |
| Dimension D | cm | 79 | 93.5 | 130.5 | 150 |
| Dimension E | cm | 35 | 35 | 35 | 35 |
| Dimension F | cm | 34.5 | 49.5 | 84.5 | 80 |
| Dimension G | cm | 24 | 24 | 24 | 27 |
| Dimension H | cm | 50 | 50 | 50 | 50 |
| Dimension I | cm | 50.7 | 50.7 | 50.7 | 50.7 |
| Dimension K | cm | 80.3 | 94.8 | 131.8 | 151 |



ACTIVE SLIM



Electric water heater with reduced diameter, vertical installation



This range has been specifically designed to be fitted in small spaces, thanks to its special diameter of just 33.4 cm for the tightest of spaces.

It is the ideal option to be fitted in small bathrooms, narrow cupboards, fitted kitchen cupboards or toilets in small establishments.

Technical Features

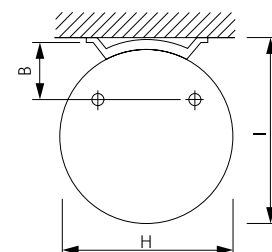
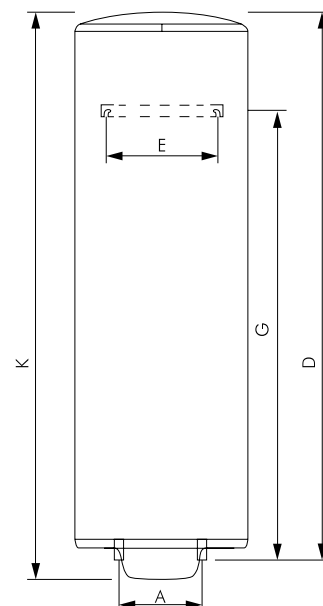
- ▶ Diameter: only 33,4 cm.
- ▶ Steel tank lined with titanium enamel vitrified at 850 °C.
- ▶ Magnesium anode.
- ▶ Dielectric hoses with high mechanical resistance.
- ▶ Direct-immersion reinforced heating elements.
- ▶ Front-panel thermostat for regulating temperature.
- ▶ Pilot light.
- ▶ Vertical installation with connections.
- ▶ 1 m supply mains cable and plug.
- ▶ Non-return and pressure relief valve.
- ▶ High insulation.
- ▶ Safety thermostat.
- ▶ ECO mode setting. 
- ▶ Frost-Protection mode setting. 



GTB/GTC Safety Thermostat Valve

Reference 90300006

| MODEL: ACTIVE SLIM | | GTC-30 | GTC-50 |
|---|---------|-----------|------------|
| Capacity | L | 30 | 50 |
| Output | W | 2000 | 2000 |
| Current | A | 8.7 | 8.7 |
| Voltage | | 220-240 V | 220-240 V |
| Frequency | Hz | 50 | 50 |
| Insulation | | Class I | Class I |
| IP degree | | IP23 | IP23 |
| Colour | | White | White |
| Average consumption to keep water at 65 °C | kWh/24h | 0.94 | 1.40 |
| Heating time 65 °C from 15 °C | | 53 min | 1 h 27 min |
| Quantity of water available with 40 °C mixture ⁽¹⁾ | L | 55 | 89 |
| Water connections | | 1/2" | 1/2" |
| Net weight | kg | 20 | 24 |
| Dimension A | cm | 10 | 10 |
| Dimension B | cm | 9 | 9 |
| Dimension D | cm | 61 | 91 |
| Dimension E | cm | 27 | 27 |
| Dimension G | cm | 43 | 73 |
| Dimension H | cm | 33.4 | 33.4 |
| Dimension I | cm | 35.4 | 35.4 |
| Dimension K | cm | 61.5 | 91.5 |
| Reference | | 90830031 | 90830051 |



(1) These figures are valid for cold water with temperature of 15°C mixed with hot water (65°C) from the water heater. (Standard EN 60379:2005). These figures are for water heaters installed in the vertical position.

ACTIVE COMPACT

Compact water heater, low capacity

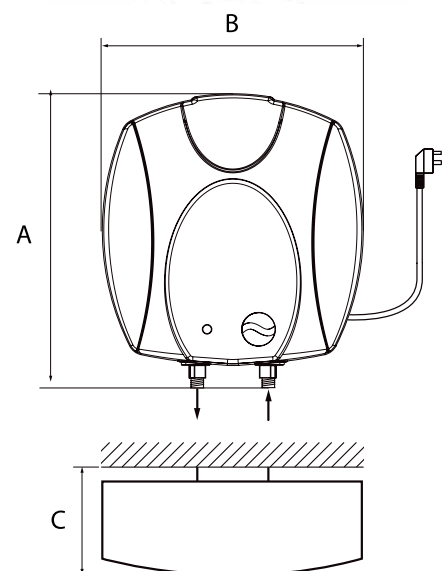
This storage water heater line is the most compact of the GABARRÓN storage water heater range.

This line has been developed for facilities that need hot water quickly, such as in kitchens, garages, doctor's surgeries, etc.

These models are particularly easy to install as thanks to their mounting system, they only need a single wall mount.

Technical Features

- ▶ Tank of vitrified steel.
- ▶ Magnesium anode.
- ▶ Insulating dielectric hoses.
- ▶ Direct-immersion reinforced heating element.
- ▶ Front-panel thermostat for regulating temperature.
- ▶ Pilot light.
- ▶ 1 m supply mains cable and plug.
- ▶ Non-return and pressure relief valve.
- ▶ IPX4 degree.
- ▶ Safety thermostat.



| MODEL: ACTIVE COMPACT | | GTS-10 | GTS-15 |
|--|---------|-----------|-----------|
| Capacity | L | 10 | 15 |
| Output | W | 1500 | 1500 |
| Current | A | 6.5 | 6.5 |
| Voltage | | 220-240 V | 220-240 V |
| Frecuency | Hz | 50 | 50 |
| Insulation | | Class I | Class I |
| IP degree | | IPX4 | IPX4 |
| Colour | | White | White |
| Average consumption to keep water at 65 °C | kWh/24h | 0.49 | 0.57 |
| Dimension A | cm | 41 | 41 |
| Dimension B | cm | 36 | 39 |
| Dimension C | cm | 27 | 31 |
| Net weight | kg | 6.3 | 7.8 |
| Referencia | | 90800010 | 90800015 |





OUR HISTORY

ELNUR was founded in 1973 and since then, we have established ourselves as one of the leading European providers of the most efficient heating system in the world: electric heating.

With facilities spanning over 20,000 m², an extensive general and technical team and a complete range of products developed to meet the highest expectations of our customers, at ELNUR we provide you with the most efficient heating solutions in an ever-changing world.

ELNUR at their premises has total control over the production process: Our metal working stations with the latest technology, gives us the control and the opportunity to get the best quality from every single component.

The fully automated electrostatic powder coating station, guarantees a perfect finish of our products, fully resistant to aging and corrosion.

Five assembly lines assure a year-round service of more than 150.000 thermal inertia radiators, 40.000 storage heaters and 30,000 convectors and other electric heating devices.

ELNUR customer service is a must in our continuous improvement approach: One of our foundations is our capability to deliver final goods. We keep a minimum of 3 months stock; this allows us to distribute our products to any part of the world in less than 48 hours.

Another foundation is the proximity to our customers. Our work in training and customer qualification, as well as ELNUR after-sale service is essential to maintain this high product and service standard in the market.

40 years on, we maintain the same enthusiasm and commitment to offer a wide range of unique products which can cater for the varying needs of our customers, wherever in the world they may be.

With a commercial presence in more than 35 countries, and a strong exclusive distribution network in 15 of these, we have gained a presence in thousands of homes, always offering the best solution in electric heating.

Our greatest wish is for our customers to have the luxury of experiencing excellence by using our GABARRÓN range of products, which are guaranteed to bring real warmth and comfort to your home.

“Let us invite you to meet ELNUR and experience the values and benefits that our GABARRÓN products will bring to your life.”

QUALITY

ELNUR is fully committed to quality. We therefore have complete control over the whole manufacturing processes in the company. Some of our international certifications are:



ISO 9001: 2008 Quality Control Management System, which certifies the implementation and maintenance of the system through a cycle of continuous improvement in the performance of its procedures in all areas of the company, with the aim of achieving greater customer satisfaction.



ISO 14001: 2004 Environmental Management System, which guarantees that our procedures are developed in accordance with environmental care and respect throughout the production process, from the initial design to the final stages of manufacturing.

CUSTOMER SERVICE

A product manufactured in accordance with the highest level of quality performance deserves to be complemented by excellent service. At ELNUR, all departments are customer-focused, offering quick and efficient solutions to any problems that may arise. If you have any queries, please email us at export@elnur.es

AFTER-SALES TECHNICAL SUPPORT

ELNUR's job does not finish when the goods are dispatched. We are committed to initial development, manufacturing and customer service. And this customer service includes a professional after-sales service. We have an Authorised Technical Services Network providing effective technical assistance all over the country, irrespective of the location or the product.

PROJECT MANAGEMENT

We know that many concerns may arise when it comes to evaluating your project requirements. Our Projects Department will advise you on each of the areas of your project and will offer you the best solution, taking into account potential options so that you can suggest a number of different alternatives to the end customer.

PROFESSIONAL ADVICE

In this department you can get the assistance you need in order to solve any technical concerns you may have. We will provide direct and personalised assistance, offering the support necessary to resolve any issues with installing or setting up any of our products.

SUSTAINABILITY

ELNUR is totally committed to working and manufacturing in accordance with the appropriate certification under the Environmental Management System.

GABARRÓN ranges do not produce gases or fumes, nor do they directly emit any pollutants to the environment when operating.





Headquarters:
ELNUR, S.A.
Travesía Villa Esther, 11
28110 Algete - Madrid
Phone: 00 34 91 628 14 40

www.elnur.es

export@elnur.es